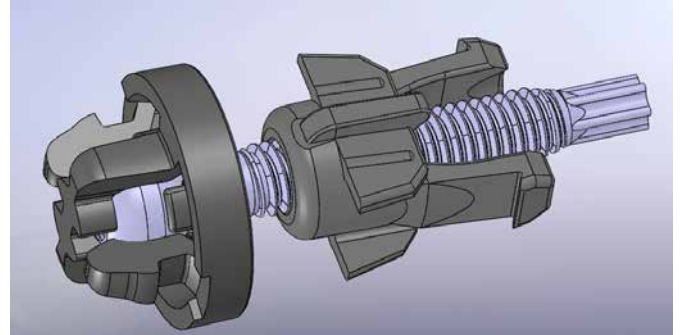
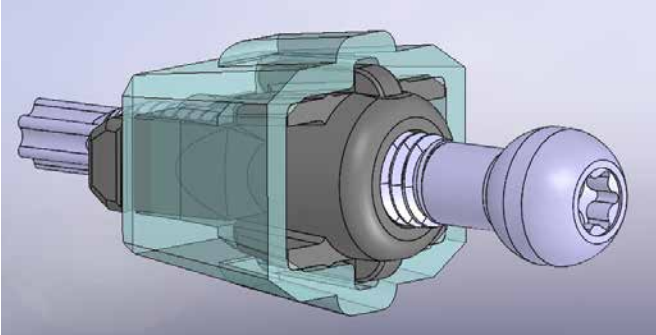


MicroAdjuster

Adjustment of small modules, f.e. LED- / Laser Light or Driver Assistance Systems

Part number 860 3195 701



Features and Benefits:

- Screw and thread piece „WedgeNut“ as assembly group
- Screw is pre-positioned
- Usage as fix-point or adjusting-point
- Short assembly time (no screw-in process on assembly line = cleanliness)
- Screw pitch $p = 0,7$ mm ($p = 0,5$ mm possible)
- Tolerance compensation
- Material „Wedge Nut“: POM / POM GF
- Material Screw: Steel 400 N/mm², zinc coating

Contact for North America:

Mr. Paul Sutenbach
Vice President Sales
phone: 1 262-857-5150
e-mail: psutenbach@asysttech.com

Visit us at www.ejot.com or contact us.

For more information please contact Mr. Torsten Fischer, phone: +49 2751 529-530, e-mail: torsten.fischer@ejot.de